

SECTION **PWO**
POWER OUTLET

A
B
C
D
E
F
G
H
I
J
K
L
N
O
P

CONTENTS

DTC/CIRCUIT DIAGNOSIS	2	Precaution for Supplemental Restraint System (SRS) "AIR BAG" and "SEAT BELT PRE-TENSIONER"	6
CIGARETTE LIGHTER	2		
Wiring Diagram - CIGARETTE LIGHTER -	2	REMOVAL AND INSTALLATION	7
POWER SOCKET	4	CIGARETTE LIGHTER	7
Wiring Diagram - POWER SOCKET -	4	Exploded View	7
PRECAUTION	6	Removal and Installation	7
PRECAUTIONS	6	POWER SOCKET	8
		Exploded View	8
		Removal and Installation	8

PWO

CIGARETTE LIGHTER

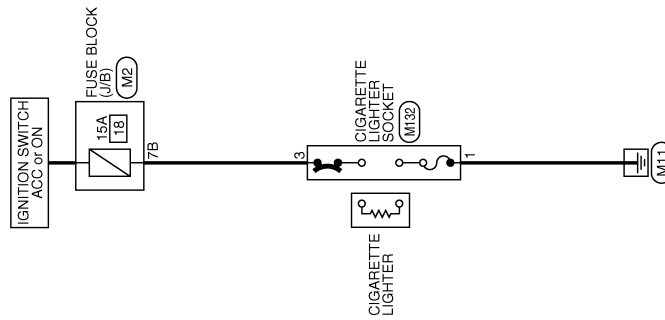
< DTC/CIRCUIT DIAGNOSIS >

DTC/CIRCUIT DIAGNOSIS

CIGARETTE LIGHTER

Wiring Diagram - CIGARETTE LIGHTER -

INFOID:000000001834763



CIGARETTE LIGHTER

2006/09/15

JCMWA0001GB

CIGARETTE LIGHTER

< DTC/CIRCUIT DIAGNOSIS >

A
B
C
D
E
F
G
H
I
J
K
L
N
O
P

CIGARETTE LIGHTER

Connector No.	M2
Connector Name	FUSE BLOCK (L/B)
Connector Type	NS10FW-GS



Terminal No.	Color of Wire	Signal Name [Specification]
7B	P	-

Connector No.	M132
Connector Name	CIGARETTE LIGHTER SOCKET
Connector Type	NS03FW-GS



Terminal No.	Color of Wire	Signal Name [Specification]
1	B	-
3	P	-

JCMWA0926GB

PWO

POWER SOCKET

< DTC/CIRCUIT DIAGNOSIS >

POWER SOCKET

Connector No.	M1
Connector Name	FUSE BLOCK (J/B)
Connector Type	INS06FW-M2



Terminal No.	Color of Wire	Signal Name [Specification]
6A	Y	-

Connector No.	M133
Connector Name	WIRE TO WIRE
Connector Type	IM02FB-LC



Terminal No.	Color of Wire	Signal Name [Specification]
1	Y	-
2	B	-

Connector No.	M148
Connector Name	POWER SOCKET
Connector Type	PO2FB-Z



Terminal No.	Color of Wire	Signal Name [Specification]
1	Y	-
2	B	-

Connector No.	M151
Connector Name	WIRE TO WIRE
Connector Type	IM02MB-P-LC



Terminal No.	Color of Wire	Signal Name [Specification]
1	R	-
2	B	-

Connector No.	M152
Connector Name	POWER SOCKET
Connector Type	PO2FB-Z



Terminal No.	Color of Wire	Signal Name [Specification]
1	R	-
2	B	-

A
B
C
D
E
F
G
H
I
J
K
L
N
O
P

PWO

JCMWA0927GB

PRECAUTIONS

< PRECAUTION >

PRECAUTION

PRECAUTIONS

Precaution for Supplemental Restraint System (SRS) "AIR BAG" and "SEAT BELT PRE-TENSIONER"

INFOID:000000003106552

The Supplemental Restraint System such as "AIR BAG" and "SEAT BELT PRE-TENSIONER", used along with a front seat belt, helps to reduce the risk or severity of injury to the driver and front passenger for certain types of collision. This system includes seat belt switch inputs and dual stage front air bag modules. The SRS system uses the seat belt switches to determine the front air bag deployment, and may only deploy one front air bag, depending on the severity of a collision and whether the front occupants are belted or unbelted. Information necessary to service the system safely is included in the "SRS AIR BAG" and "SEAT BELT" of this Service Manual.

WARNING:

- To avoid rendering the SRS inoperative, which could increase the risk of personal injury or death in the event of a collision which would result in air bag inflation, all maintenance must be performed by an authorized NISSAN/INFINITI dealer.
- Improper maintenance, including incorrect removal and installation of the SRS, can lead to personal injury caused by unintentional activation of the system. For removal of Spiral Cable and Air Bag Module, see the "SRS AIR BAG".
- Do not use electrical test equipment on any circuit related to the SRS unless instructed to in this Service Manual. SRS wiring harnesses can be identified by yellow and/or orange harnesses or harness connectors.

PRECAUTIONS WHEN USING POWER TOOLS (AIR OR ELECTRIC) AND HAMMERS

WARNING:

- When working near the Air Bag Diagnosis Sensor Unit or other Air Bag System sensors with the ignition ON or engine running, DO NOT use air or electric power tools or strike near the sensor(s) with a hammer. Heavy vibration could activate the sensor(s) and deploy the air bag(s), possibly causing serious injury.
- When using air or electric power tools or hammers, always switch the ignition OFF, disconnect the battery, and wait at least 3 minutes before performing any service.

CIGARETTE LIGHTER

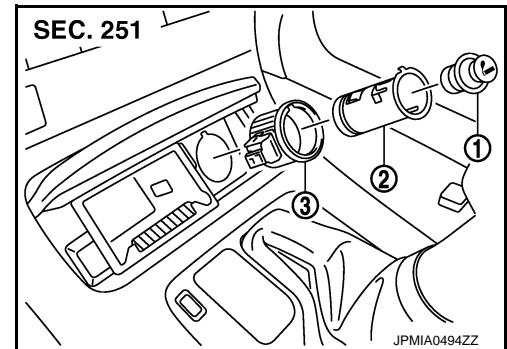
< REMOVAL AND INSTALLATION >

REMOVAL AND INSTALLATION

CIGARETTE LIGHTER

Exploded View

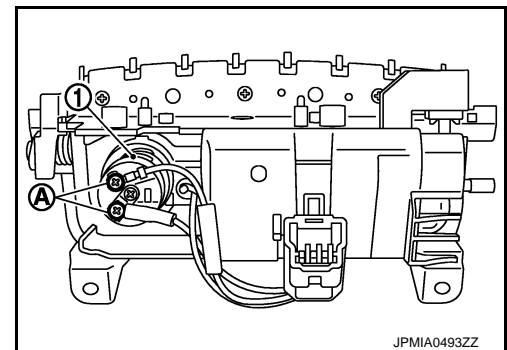
- 1 : Cigarette lighter
- 2 : Cigarette lighter socket
- 3 : Cigarette lighter ring



Removal and Installation

REMOVAL

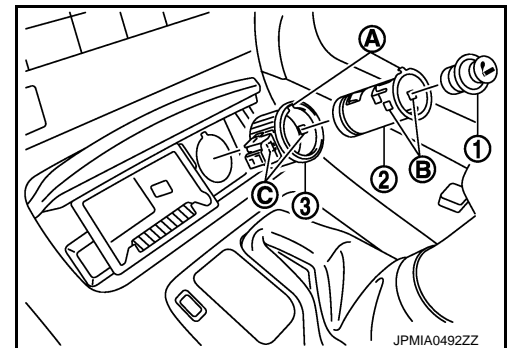
1. Remove console finisher assembly. Refer to [IP-23, "Removal and Installation"](#).
2. Remove the screws (A) from reverse side cigarette lighter socket (1).



3. Pull out cigarette lighter (1).

A : Cut out

4. Pull out cigarette lighter socket (2) by pushing the cigarette lighter ring pawl (C) from the cigarette lighter socket hole (square) (B).
5. Remove cigarette lighter ring (3) from console finisher assembly while pressing pawls.



INSTALLATION

Install in the reverse order of removal.

NOTE:

Align the cut outs of cigarette lighter socket and cigarette lighter ring.

POWER SOCKET

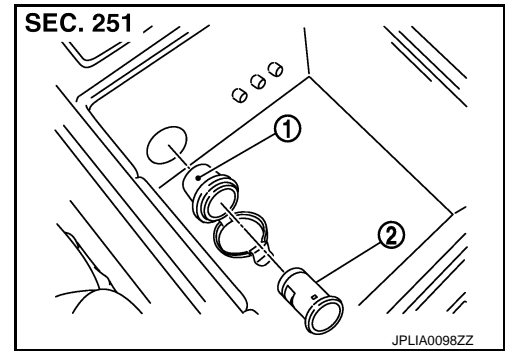
< REMOVAL AND INSTALLATION >

POWER SOCKET

Exploded View

INFOID:000000002977636

- 1 : Ring
- 2 : Inner socket



Removal and Installation

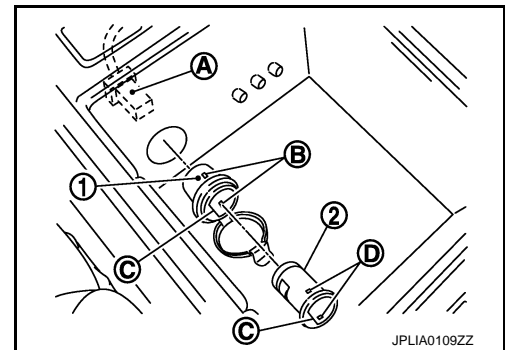
INFOID:000000002977637

REMOVAL

1. Remove rear upper console assembly (A/T models) or center console assembly (M/T models). Refer to [IP-23, "Removal and Installation"](#).
2. Disconnect power socket connector (A).

C : Cut out

3. Pull out inner socket (2) by pushing the ring pawl (B) from the inner socket hole (square) (D).
4. Remove ring (1) from console box while pressing pawls.



INSTALLATION

Install in the reverse order of removal.

NOTE:

Align the cut outs of inner socket and ring.